

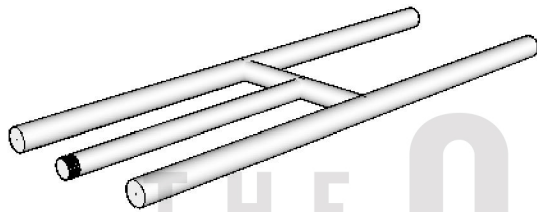
# 18" Fireplace H Burner

<b>Page Number</b>	1 of 1
<b>Author:</b> Bryant Uribe	9/28/2018
<b>Approved By:</b> Gabriel Estrada	Date

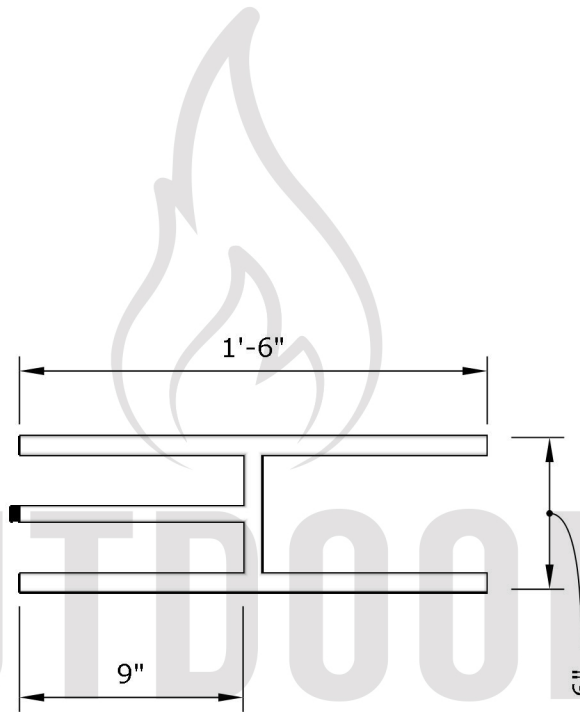
SKU	Length, Width, Height (LxWxH)	Weight	Hub Size	BTU Output	Material
OPT-154	18" x 6" x 1"	3.5 lbs.	½"	90,000	Stainless Steel



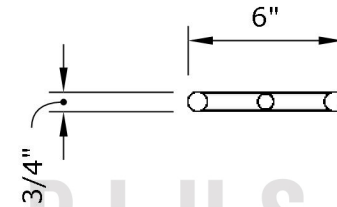
**Proprietary & Confidential:** The information contained in this drawing is the sole property of **The Outdoor Plus**. Any reproduction or as a whole without written permission of **The Outdoor Plus** is prohibited.



PERSPECTIVE



TOP



SIDE